

SK-P440

Features

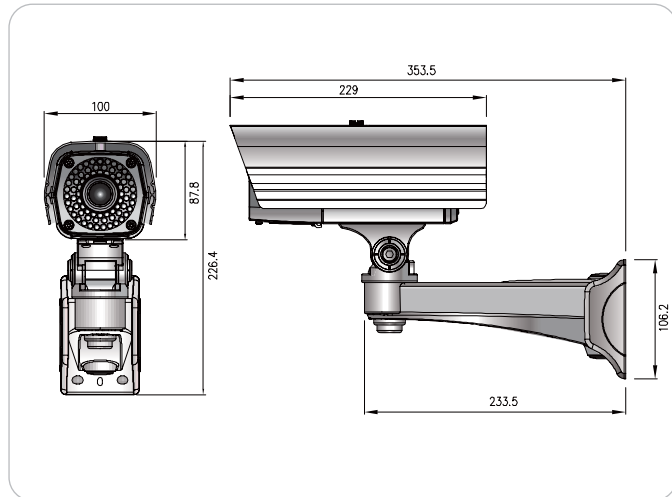
- Day&Night function(ICR)
- 1/3" COLOR SONY SUPER HAD CCD II
- Advanced High Resolution(550TV-Line, SONY HQ1)
- 50M range visible in total darkness with 40pcs of IR LEDs(Indoor)
- Cable through bracket
- Option : 12V DC or 24V AC Dual voltage with Line-Lock
- All-in-One(Built-in lens, IR LEDs, Sunvisor & Bracket)
- All controls hidden behind an easy access door
- Weather-proof for outdoor use(IP66)



IR 40EA DAY&NIGHT CAMERA

Dimension

Unit : mm



Specification

Model	SK-P440
Image Sensor	1/3" COLOR SONY SUPER HAD CCD II
Pixel	410K
Scanning	2:1 Interlace
Sync. Type	Internal / External(Line-Lock)
Resolution	Color : 550TV-Line , B/W : 600TV-Line
Video Output	1.0Vp-p(Sync. Negative) Termination 75Ω
S/N Ratio	48dB or More(AGC OFF)
Min. Illumination	0Lux(50M Range) : LED ON - Indoor 0.01Lux(F1.2) : LED OFF
Lens	f=3.8 ~ 9.5mm(F1.2) Option f=9 ~ 22mm
Gamma	$\gamma=0.45$ typ.
BLC	ON/OFF
AGC	ON/OFF
Flickerless	ON/OFF
Day & Night	ICR(AUTO/COLOR/BW)
LED	40pcs(Output level adjustable)
Shutter Speed	1/60(1/50) ~ 1/100,000 sec
Power Supply	12V DC or 24V AC Dual voltage - Option
Current Consumption	MAX.900mA (at 12V DC) LED ON (at 24V AC) LED ON
Operation Temp.	-20°C ~ 50°C
Preservation Temp.	-20°C ~ 60°C
Dimension	100(W) X 87.8(H) X 229(D)mm
Weight	Approx. 1.7kg