

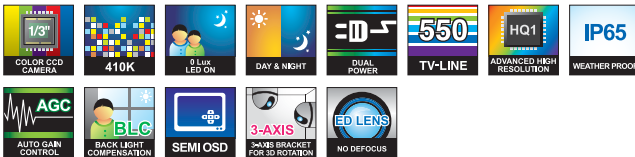
# TRUE DAY & NIGHT WEATHER-PROOF IR CAMERA

## SK-P500/M143AI, SK-P500/M143XAI

CAMERA  
All-in-one

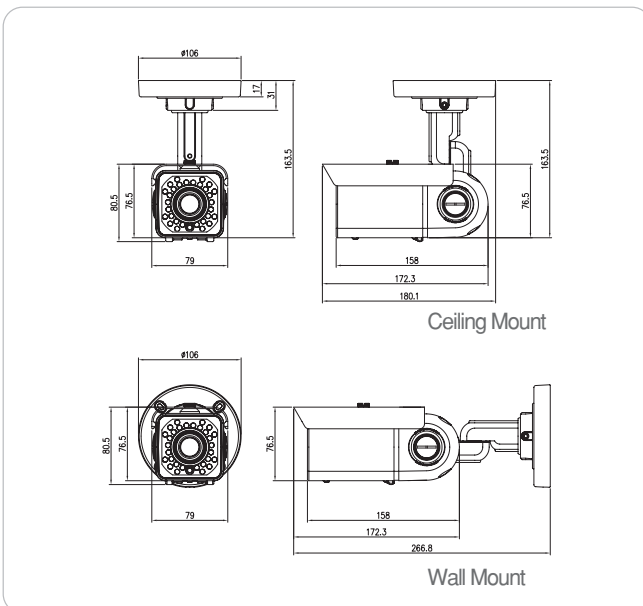
### Features

- Long visible range at night(40m range indoor)
- Advanced High Resolution(550TV-Line, SONY HQ1)
- 1/3" COLOR SONY CCD
- Split glass technology
- Using IR lens to prevent defocusing(F1.2)
- 3-AXIS bracket(Wall & Ceiling Mount)
- Option : 12V DC or 24V AC Dual voltage
- Double heater & fan(option) for extreme temperature operation
- Extra video connector for easy installation
- Mechanical filter exchange(True Day & Night)
- Weatherproof(IP65)
- Semi OSD support
- IR LED level adjustable



### Dimension

Unit : mm



### Specification

MODEL	SK-P500/M143AI	SK-P500/M143XAI
CCD Type	1/3" COLOR SONY SUPER HAD CCD	1/3" COLOR SONY EXview HAD CCD
Pixel	410K	
Scanning	2:1 Interlace	
Sync. Type	Internal/External(Line-Lock)	
Resolution	Color : 550TV-Line , B/W : 600TV-Line	
Video Output	1.0Vp-p(Sync. Negative) Termination 75Ω	
S/N Ratio	45dB or More(AGC OFF)	
Min. Illumination	0Lux(40M Range) : LED ON 0.05Lux(F1.2) : LED OFF    0.01Lux(F1.2) : LED OFF	
Flickerless	ON/OFF	
Gamma	$\gamma = 0.45$ typ.	
Day & Night	True D&N(AUTO/COLOR/BW)	
LED	IR LED 30pcs	
Shutter Speed	1/60(1/50) ~ 1/100,000sec	
Lens	Vari-focal auto iris lens	
Power Supply	12V DC or 24V AC Dual voltage - option	
Current Consumption	Max. 950mA	
Operation Temp.	-20°C ~ 50°C (With Fan) : -20°C ~ 60°C	
Preservation Temp.	-30°C ~ 60°C	
Dimension	79(W)x77(H)x172(D)mm	
Weight	Approx. 1.5kg	

### IR Vs. non-IR lens

