

IR 70EA PIPE CAMERA

SK-P360IR, SK-P370IR

Features

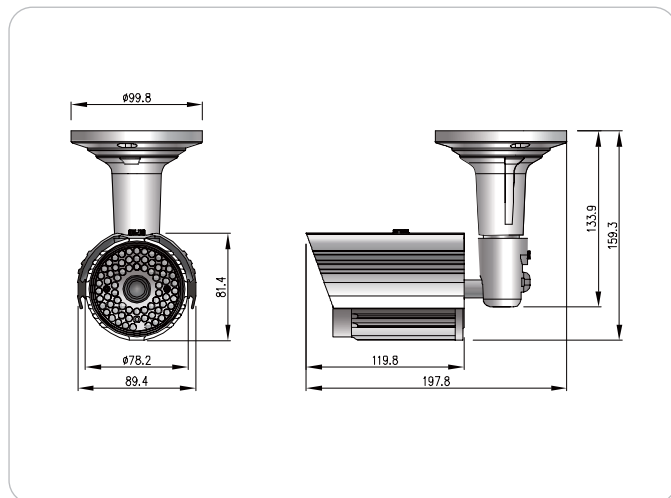
- 50M range visible in total darkness with 70pcs of IR LEDs
- Waterproof(IP67)
- Day & Night function(Electronic D&N)
- Advanced High Resolution(530TV-Line, SK-P360IR)
- 3-AXIS Bracket for 3D(Pan/Tilt/Roll) rotation
- 1/3" COLOR SONY SUPER HAD CCD II : SK-P360IR
- 1/3" COLOR SONY SUPER HAD CCD : SK-P370IR
- Fan for extreme temperature operation



IR 70EA DAY&NIGHT CAMERA

Dimension

Unit : mm



Specification

Model	SK-P360IR	SK-P370IR
Image Sensor	1/3" COLOR SONY SUPER HAD CCD II	1/3" COLOR SONY SUPER HAD CCD
Pixel	410K	270K
Scanning	2:1 Interlace	
Sync. Type	Internal	
Resolution	530TV-Line	380TV-Line
Video Output	1.0Vp-p(Sync. Negative) Termination 75Ω	
S/N Ratio	48dB or More(AGC OFF)	
Min. Illumination	0Lux(50M Range) : LED ON - Indoor 0.1Lux(F/1.2) : LED OFF	
Gamma	$\gamma=0.45$ typ.	
Shutter Speed	1/60(1/50) ~ 1/100,000 sec	
Day & Night	Electronic D&N(AUTO)	
White Balance	ATW	
AGC	AUTO	
Lens	Fixed focal lens	
LED	IR LED 70pcs	
Power Supply	Regulated 12V DC $\pm 10\%$	
Current Consumption	Max. 1.2A	
Fan	Yes	
Operation Temp.	-10°C ~ 50°C	
Preservation Temp.	-20°C ~ 60°C	
Dimension	89.4(W) X 81.4(H) X 119.8(D) mm	
Weight	Approx. 890g	